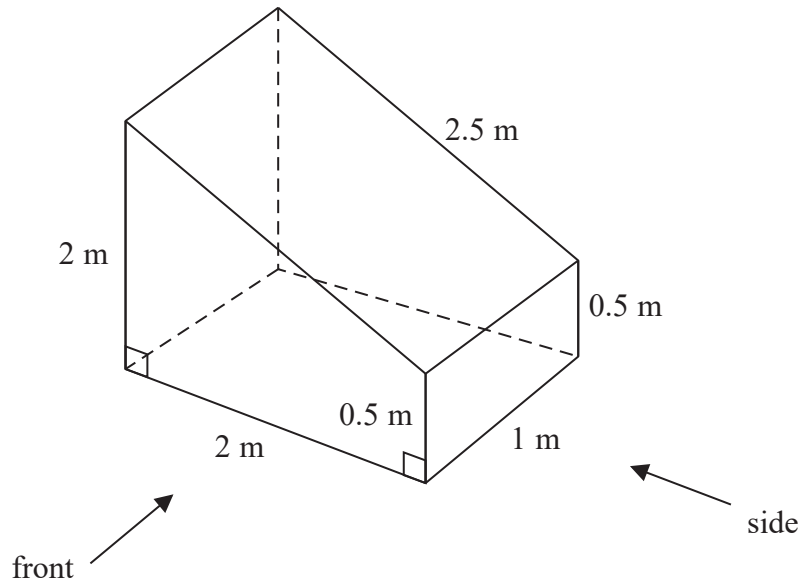
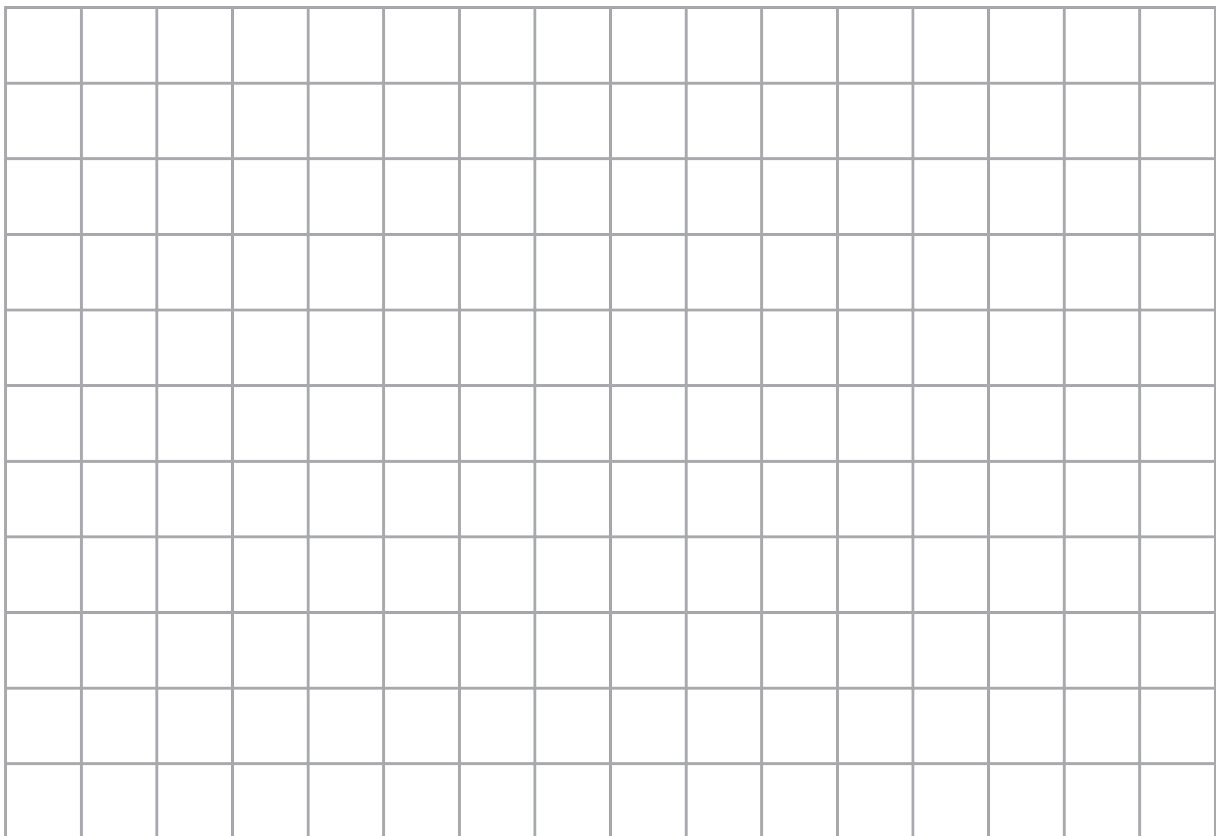


1 The diagram shows a prism with a cross section in the shape of a trapezium.

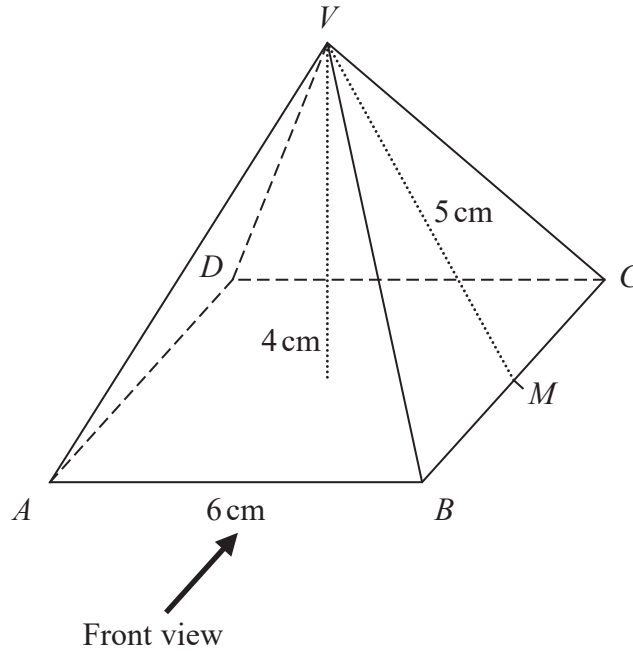


On the centimetre grid below, draw the front elevation and the side elevation of the prism. Use a scale of 2 cm to 1 m.



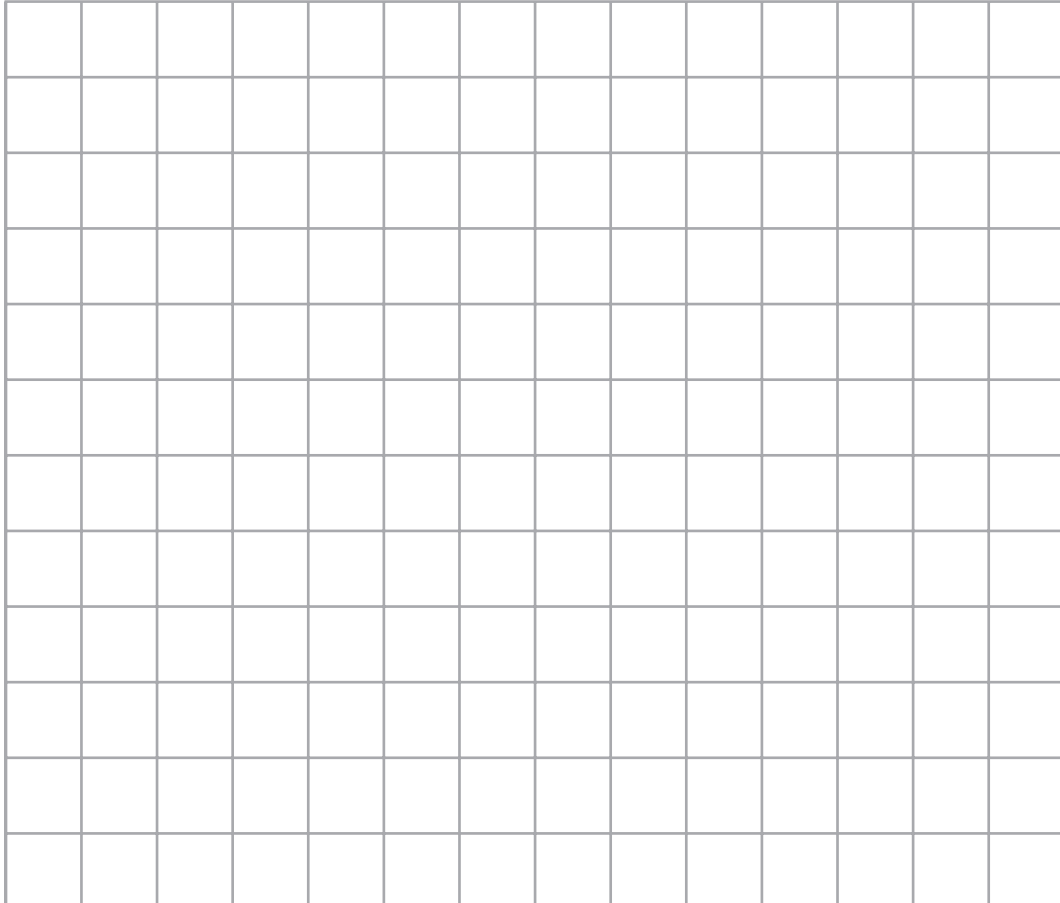
(Total for Question 1 is 4 marks)

2 Here is a solid square-based pyramid, $VABCD$.



The base of the pyramid is a square of side 6 cm.
 The height of the pyramid is 4 cm.
 M is the midpoint of BC and $VM = 5$ cm.

(a) Draw an accurate front elevation of the pyramid from the direction of the arrow.

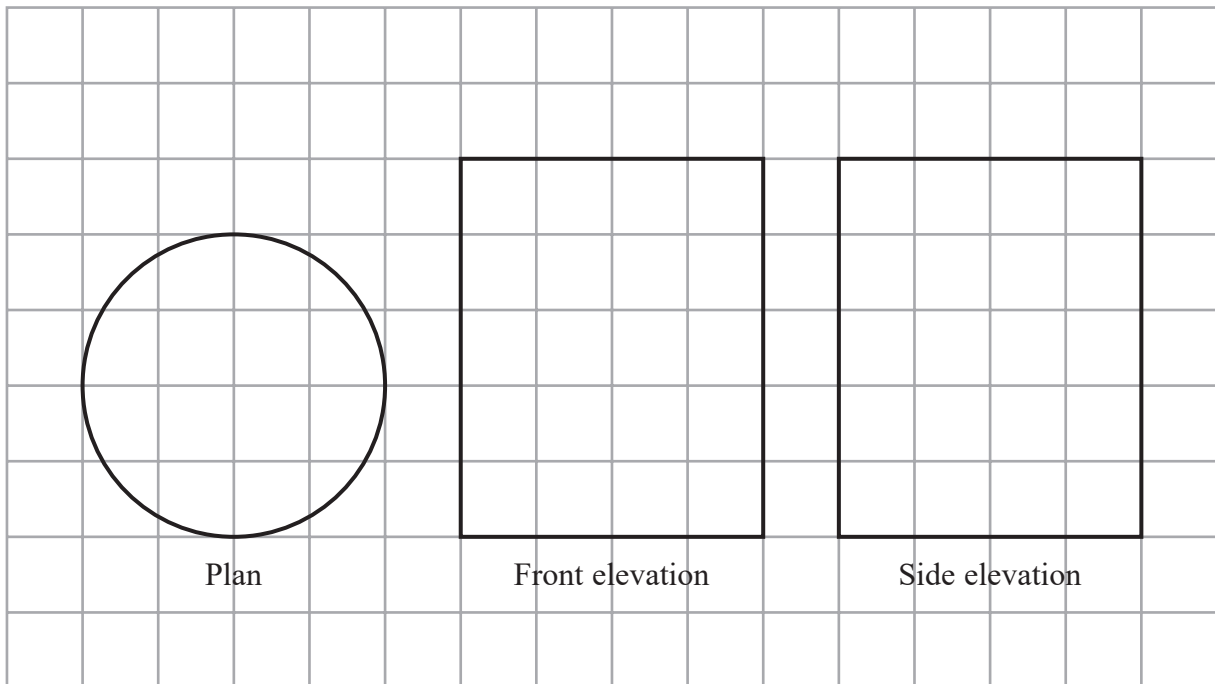


(b) Work out the total surface area of the pyramid.

.....
(4)

(Total for Question 2 is 6 marks)

- 3 The diagram shows the plan, front elevation and side elevation of a solid shape, drawn on a centimetre grid.

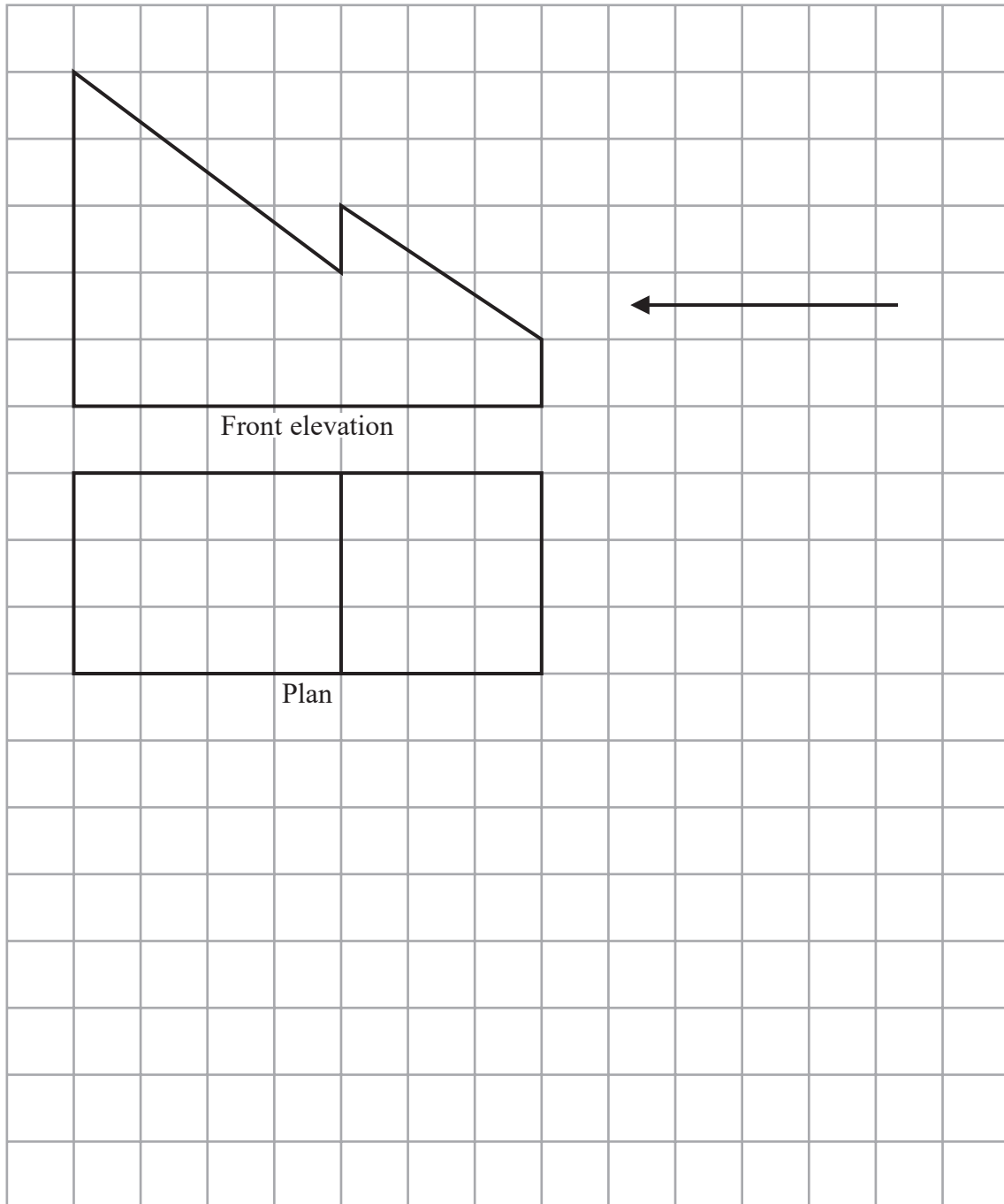


In the space below, draw a sketch of the solid shape.
Give the dimensions of the solid on your sketch.

(Total for Question 3 is 2 marks)

- 4 The front elevation and the plan of a solid are shown on the grid.

On the grid, draw the side elevation of the solid from the direction of the arrow.



(Total for Question 4 is 2 marks)